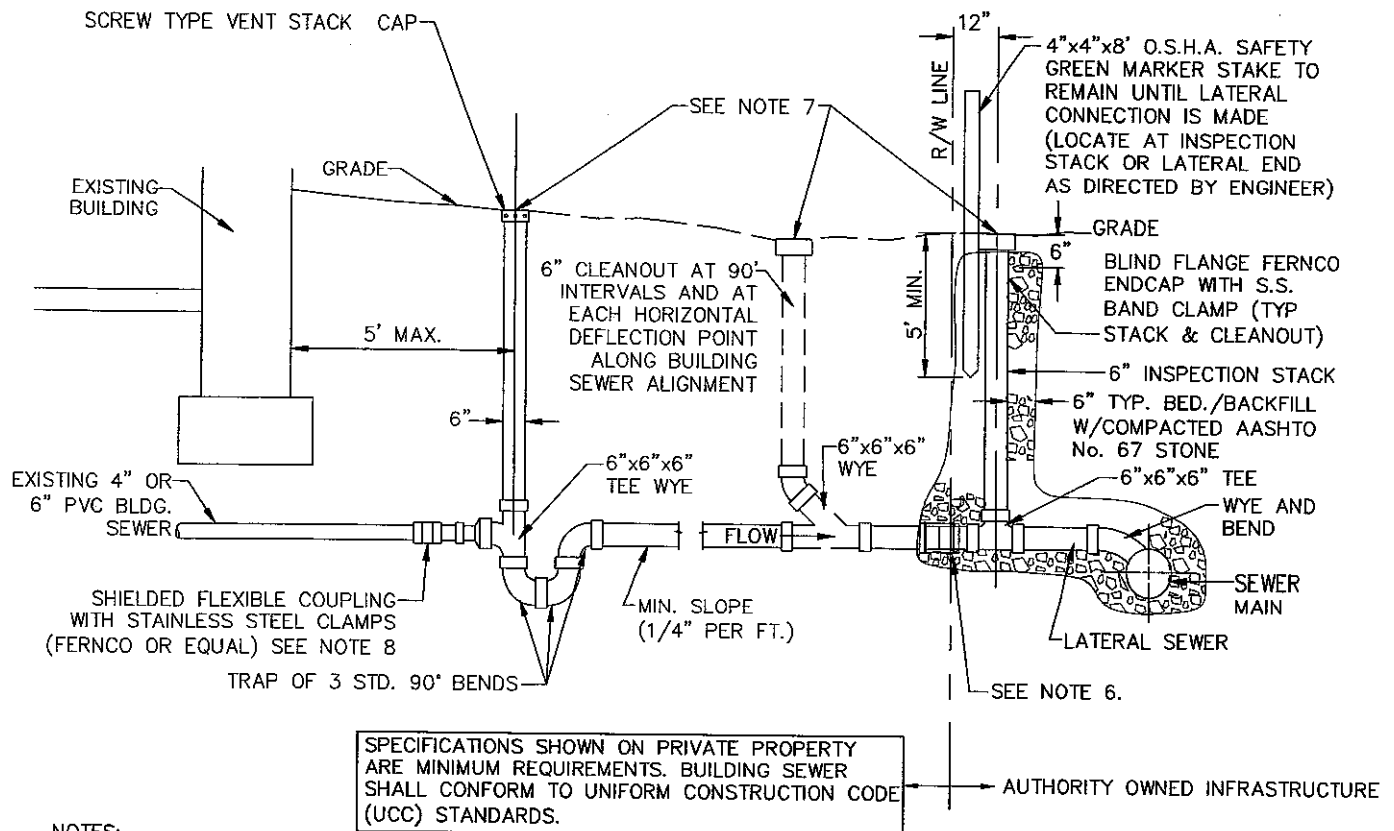


APPENDIX E
STANDARD DETAILS



NOTES:

1. PVC LATERAL AND BUILDING SEWER PIPE AND FITTINGS MUST BE BEDDED AND SURROUNDED WITH FIRMLY PACKED AASHTO No. 67 ANGULAR STONE. THE BEDDING SHALL EXTEND 4" MIN. BELOW PIPE. THE USE OF 4" PIPE FROM THE INSPECTION STACK "IN" IS ACCEPTABLE. ALTERNATE MATERIALS MUST BE SUBMITTED TO THE AUTHORITY FOR APPROVAL PRIOR TO INSTALLATION.
2. BUILDING SEWER PIPE AND FITTINGS SHALL BE SCH 40 PVC; ALTERNATE MATERIALS SHALL BE SUBMITTED FOR APPROVAL.
3. DO NOT DEFLECT PIPE TO ACHIEVE REQUIRED SLOPE, UTILIZE REQUIRED FITTINGS.
4. ALL BACKFILL MATERIAL AND BACKFILL INSTALLATION PROCEDURES FROM WYE CONNECTION TO INSPECTION STACK TO CONFORM TO TRENCH BACKFILL DETAIL.
5. LATERALS SHALL BE INSTALLED FROM LATERAL WYE FITTING TO INSPECTION STACK AT A MINIMUM GRADE OF 1/4" PER FT.
6. INSTALL SOLVENT WELD WATERTIGHT ENDCAP TO END OF 12" LONG STUB SECTION IF NO PRIVATE SEWER LATERAL EXISTS. IF PRIVATE SEWER LATERAL DOES EXIST, CONNECT TO NEW LATERAL AFTER APPROVAL FROM AUTHORITY.
7. SEE DETAIL DT-4 FOR CONSTRUCTION OF PROTECTIVE CASTING FOR VENT, CLEANOUT AND INSPECTION STACKS.
8. IF EXISTING BUILDING SEWER IS CLAY, CONNECTION SHALL BE MADE ON INSIDE OF FOUNDATION.
9. NON-RESIDENTIAL BUILDING SEWERS SHALL BE DESIGNED FOR AUTHORITY APPROVAL.

BUILDING SEWER & LATERAL DETAIL

NOT TO SCALE

THE DETAILS ON THIS SHEET PRESENT THE MINIMUM REQUIREMENTS FOR THE CONSTRUCTION OF WASTEWATER COLLECTION FACILITIES WHICH ARE TO CONVEY WASTEWATER TO AND THROUGH THE FAIRCHANCE - GEORGES JOINT MUNICIPAL SEWAGE AUTHORITY'S COLLECTION, CONVEYANCE AND TREATMENT SYSTEM. THE SITE DEVELOPER'S DESIGN ENGINEER UTILIZING THESE DETAILS SHALL REVIEW THE DETAILS AND PRESENT ANY MODIFICATIONS NECESSITATED BY SITE CONDITIONS TO THE AUTHORITY FOR REVIEW. THE AUTHORITY NEITHER WARRANTS NOR GUARANTEES THAT THE DETAILS PRESENTED HEREIN ARE APPLICABLE TO ALL SITE CONDITIONS. THE USE OF THIS SHEET IN THE PROJECT'S CONSTRUCTION DOCUMENTS SHALL SIGNIFY THAT THE SITE DEVELOPER'S DESIGN ENGINEER HAS REVIEWED THE DETAILS AND FOUND THEM ACCEPTABLE FOR THE PROJECT.

HRG
 Herbert, Rowland & Grubic, Inc.
 Engineering & Related Services
 AN EMPLOYEE-OWNED COMPANY

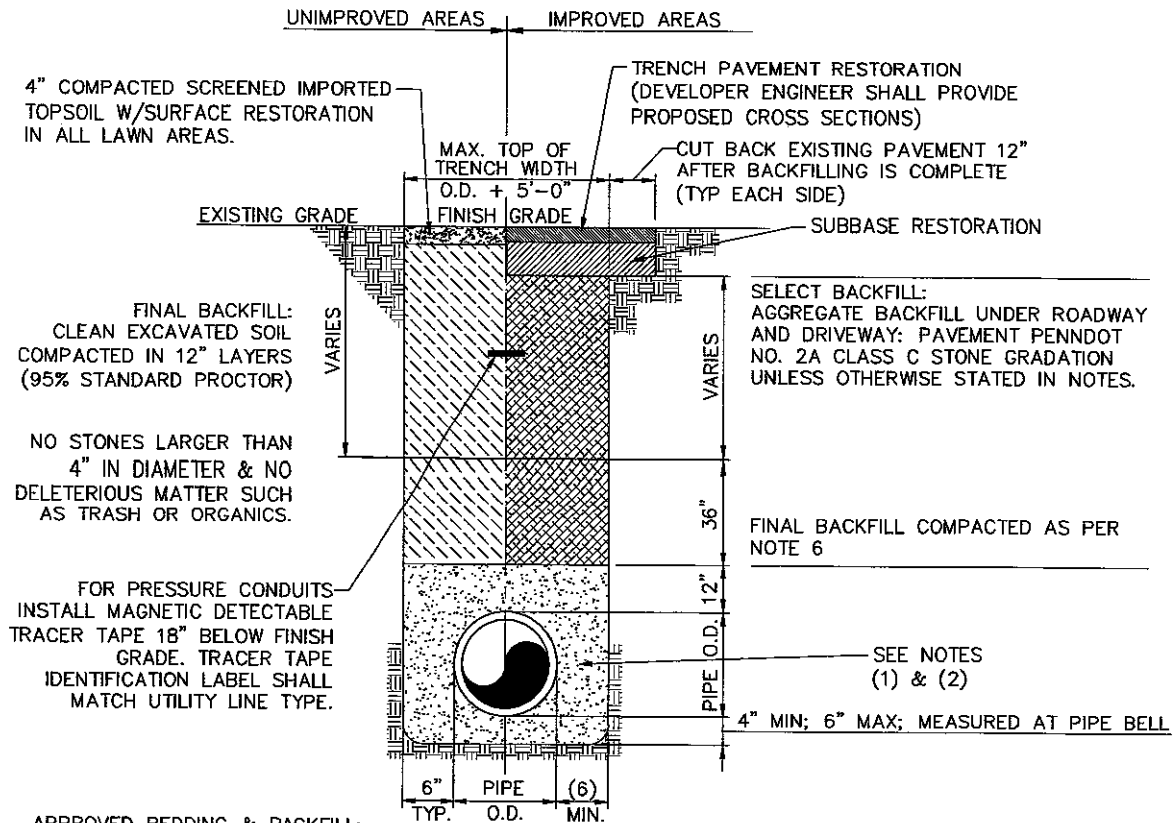
200 West Kensing Drive, Suite 400
 Cranberry Township, PA 16066
 (724) 779-4777
 Fax (724) 779-4711
 hrg@hrg-inc.com
 www.hrg-inc.com

**FAIRCHANCE - GEORGES JOINT
 MUNICIPAL SEWAGE AUTHORITY
 STANDARD DETAILS**

PROJ. MGR. - CEH
DESIGN - CEH
CADD - CRC
CHECKED -
SCALE - AS SHOWN
DATE - FEB. 2016

DRAWING NO.
DT-1
PROJECT 004307.0000

File name: P:\0043\004307_0000\CAD\YEM\MSA Standard Details\0043070000_DT.dwg Layout:DT-1 Apr 11, 2016 - 1:31pm jrbubsky



APPROVED BEDDING & BACKFILL:

1. APPROVED BEDDING & BACKFILL: FLEXIBLE GRAVITY CONDUITS PVC & HDPE: PENNDOT TYPE 'C', AASHTO No. 57 OR 67 TO 12" ABOVE PIPE. PARTICLE SIZE SHALL BE SMALLER THAN RIBBED OPENING FOR RIBBED PVC OR HDPE USE EITHER AASHTO No.57 OR 67.
2. PRESSURE CONDUITS PVC (C-900), DIP: GRAVEL OR STONE (AASHTO No.67), SAND CLASS II OR III PENNDOT TYPE A - TO 12" ABOVE PIPE.
3. ALL PIPING: SLAG NOT PERMITTED. ALL BEDDING SHALL BE WELL COMPACTED.
4. ALL DIP TO BE ENCASED W/8 MIL POLYETHYLENE ENCASEMENT
5. 6" MIN SIDE BEDDING.
6. COMPACTED BACKFILL LAYERS SHALL CONFORM TO PENNDOT PUB 408. A MAXIMUM LIFT OF 8" IF VIBRATORY COMPACTED AND 4" MAXIMUM LIFT IF BY HAND OR MECHANICAL TAMPER.

TRENCH BACKFILL DETAIL

NOT TO SCALE

THE DETAILS ON THIS SHEET PRESENT THE MINIMUM REQUIREMENTS FOR THE CONSTRUCTION OF WASTEWATER COLLECTION FACILITIES WHICH ARE TO CONVEY WASTEWATER TO AND THROUGH THE FAIRCHANCE - GEORGES JOINT MUNICIPAL SEWAGE AUTHORITY'S COLLECTION, CONVEYANCE AND TREATMENT SYSTEM. THE SITE DEVELOPER'S DESIGN ENGINEER UTILIZING THESE DETAILS SHALL REVIEW THE DETAILS AND PRESENT ANY MODIFICATIONS NECESSITATED BY SITE CONDITIONS TO THE AUTHORITY FOR REVIEW. THE AUTHORITY NEITHER WARRANTS NOR GUARANTEES THAT THE DETAILS PRESENTED HEREIN ARE APPLICABLE TO ALL SITE CONDITIONS. THE USE OF THIS SHEET IN THE PROJECT'S CONSTRUCTION DOCUMENTS SHALL SIGNIFY THAT THE SITE DEVELOPER'S DESIGN ENGINEER HAS REVIEWED THE DETAILS AND FOUND THEM ACCEPTABLE FOR THE PROJECT.

HRG
 Herbert Rowland & Grubic, Inc.
 Engineering & Related Services
 AN EMPLOYEE-OWNED COMPANY

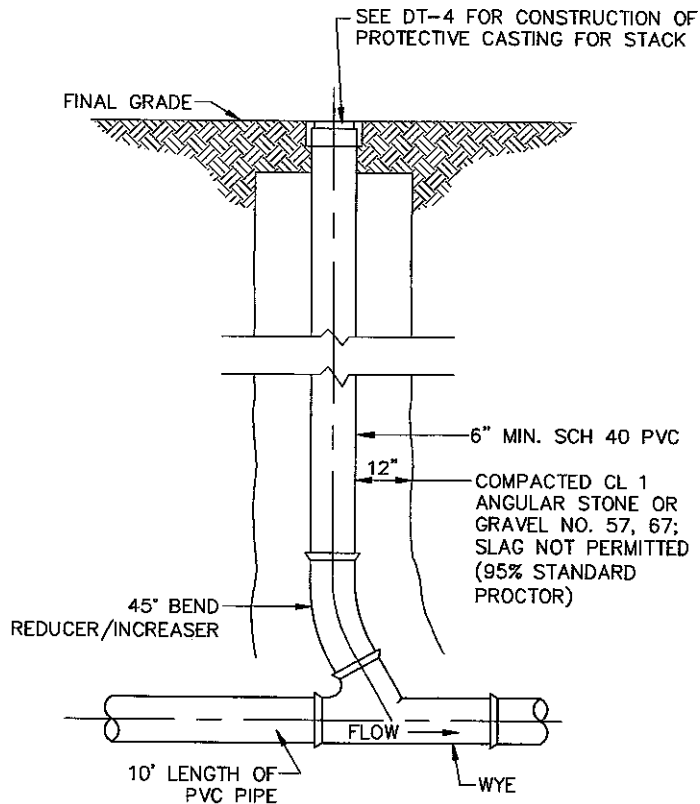
200 West Kerstinger Drive, Suite 400
 Cranberry Township, PA 16066
 (724) 779-4777
 Fax (724) 779-4711
 hrghrg@hrg-inc.com
 www.hrg-inc.com

**FAIRCHANCE - GEORGES JOINT
 MUNICIPAL SEWAGE AUTHORITY
 STANDARD DETAILS**

PROJ. MGR. - CEH
DESIGN - CEH
CADD - CRC
CHECKED -
SCALE - AS SHOWN
DATE - DEC. 2015

DRAWING NO.
DT-2
PROJECT 004307.0000

File Name: F:\0043\004307_0000\CSO\0043070000_DT.dwg Loyell DT-2 Dec 08, 2015 1:28pm ccd@hril



SANITARY CLEANOUT

NOT TO SCALE

THE DETAILS ON THIS SHEET PRESENT THE MINIMUM REQUIREMENTS FOR THE CONSTRUCTION OF WASTEWATER COLLECTION FACILITIES WHICH ARE TO CONVEY WASTEWATER TO AND THROUGH THE FAIRCHANCE - GEORGES JOINT MUNICIPAL SEWAGE AUTHORITY'S COLLECTION, CONVEYANCE AND TREATMENT SYSTEM. THE SITE DEVELOPER'S DESIGN ENGINEER UTILIZING THESE DETAILS SHALL REVIEW THE DETAILS AND PRESENT ANY MODIFICATIONS NECESSITATED BY SITE CONDITIONS TO THE AUTHORITY FOR REVIEW. THE AUTHORITY NEITHER WARRANTS NOR GUARANTEES THAT THE DETAILS PRESENTED HEREIN ARE APPLICABLE TO ALL SITE CONDITIONS. THE USE OF THIS SHEET IN THE PROJECT'S CONSTRUCTION DOCUMENTS SHALL SIGNIFY THAT THE SITE DEVELOPER'S DESIGN ENGINEER HAS REVIEWED THE DETAILS AND FOUND THEM ACCEPTABLE FOR THE PROJECT.

File Name: P:\0043\004307_0000\CAD\0043070000_DT.dwg Layout: DT-3 Feb 05, 2016 - 4:55pm jrhilshky

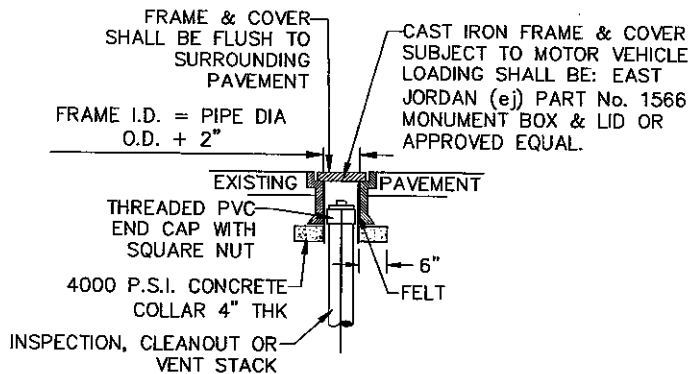


200 West Kersinger Drive, Suite 400
 Cranberry Township, PA 16066
 (724) 779-4777
 Fax (724) 779-4711
 hrghrg@hrg-inc.com
 www.hrg-inc.com

**FAIRCHANCE - GEORGES JOINT
 MUNICIPAL SEWAGE AUTHORITY
 STANDARD DETAILS**

PROJ. MGR. -	CEH
DESIGN -	CEH
CADD -	ORC
CHECKED -	
SCALE -	AS SHOWN
DATE -	FEB. 2016

DRAWING NO.
DT-3
PROJECT D04307.0000



VERTICAL STACK TOP INSTALLATION FOR ALL IMPROVED AREAS

NOT TO SCALE

NOTE:
IF SURFACE IS AGGREGATE, A 30" x 30" x 4" CONCRETE PAD SHALL BE INSTALLED SURROUNDING FRAME & COVER.

THE DETAILS ON THIS SHEET PRESENT THE MINIMUM REQUIREMENTS FOR THE CONSTRUCTION OF WASTEWATER COLLECTION FACILITIES WHICH ARE TO CONVEY WASTEWATER TO AND THROUGH THE FAIRCHANCE - GEORGES JOINT MUNICIPAL SEWAGE AUTHORITY'S COLLECTION, CONVEYANCE AND TREATMENT SYSTEM. THE SITE DEVELOPER'S DESIGN ENGINEER UTILIZING THESE DETAILS SHALL REVIEW THE DETAILS AND PRESENT ANY MODIFICATIONS NECESSITATED BY SITE CONDITIONS TO THE AUTHORITY FOR REVIEW. THE AUTHORITY NEITHER WARRANTS NOR GUARANTEES THAT THE DETAILS PRESENTED HEREIN ARE APPLICABLE TO ALL SITE CONDITIONS. THE USE OF THIS SHEET IN THE PROJECT'S CONSTRUCTION DOCUMENTS SHALL SIGNIFY THAT THE SITE DEVELOPER'S DESIGN ENGINEER HAS REVIEWED THE DETAILS AND FOUND THEM ACCEPTABLE FOR THE PROJECT.

HRG
Herbert Rowland & Grubic, Inc.
Engineering & Related Services
AN EMPLOYEE-OWNED COMPANY

200 West Kerstinger Drive, Suite 400
Cranberry Township, PA 16066
(724) 779-4777
Fax (724) 779-4711
hr@hrg-inc.com
www.hrg-inc.com

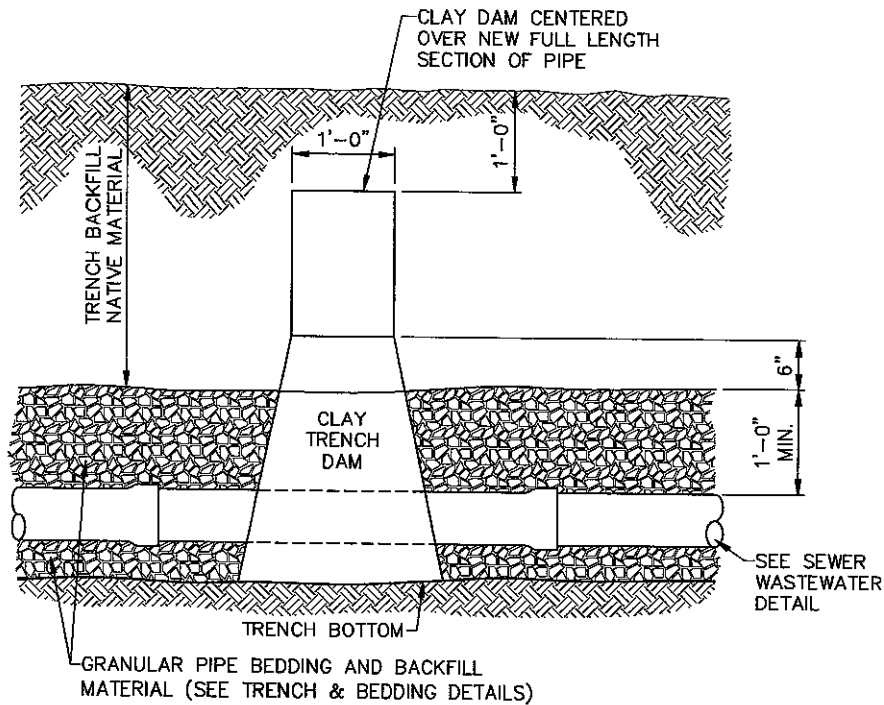
**FAIRCHANCE - GEORGES JOINT
MUNICIPAL SEWAGE AUTHORITY
STANDARD DETAILS**

PROJ. MGR. -	CEH
DESIGN -	CEH
CADD -	CRG
CHECKED -	
SCALE -	AS SHOWN
DATE -	FEB. 2016

DRAWING NO.

DT-4

PROJECT 004307.0000



TRENCH DAM DETAIL

NOT TO SCALE

THE DETAILS ON THIS SHEET PRESENT THE MINIMUM REQUIREMENTS FOR THE CONSTRUCTION OF WASTEWATER COLLECTION FACILITIES WHICH ARE TO CONVEY WASTEWATER TO AND THROUGH THE FAIRCHANCE - GEORGES JOINT MUNICIPAL SEWAGE AUTHORITY'S COLLECTION, CONVEYANCE AND TREATMENT SYSTEM. THE SITE DEVELOPER'S DESIGN ENGINEER UTILIZING THESE DETAILS SHALL REVIEW THE DETAILS AND PRESENT ANY MODIFICATIONS NECESSITATED BY SITE CONDITIONS TO THE AUTHORITY FOR REVIEW. THE AUTHORITY NEITHER WARRANTS NOR GUARANTEES THAT THE DETAILS PRESENTED HEREIN ARE APPLICABLE TO ALL SITE CONDITIONS. THE USE OF THIS SHEET IN THE PROJECT'S CONSTRUCTION DOCUMENTS SHALL SIGNIFY THAT THE SITE DEVELOPER'S DESIGN ENGINEER HAS REVIEWED THE DETAILS AND FOUND THEM ACCEPTABLE FOR THE PROJECT.

File name: P:\04307\04307_0000\CAD\04307\04307\04307.DWG Layout: DT-5 Feb 05, 2016 - 4:38pm jrb@hrsg.com

HRG
Herbert, Rowland & Grubic, Inc.
Engineering & Related Services
AN EMPLOYEE-OWNED COMPANY

200 West Kersinger Drive, Suite 400
Cranberry Township, PA 16066
(724) 779-4773
Fax (724) 779-4711
hrg@hrg-inc.com
www.hrg-inc.com

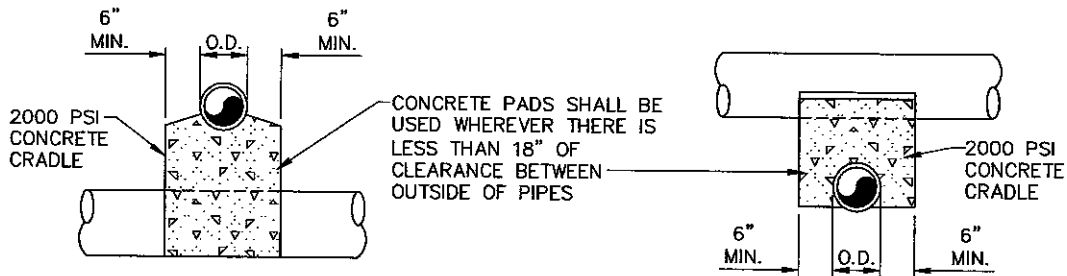
**FAIRCHANCE - GEORGES JOINT
MUNICIPAL SEWAGE AUTHORITY
STANDARD DETAILS**

PROJ. MGR. -	CEH
DESIGN -	CEH
CADD -	CRG
CHECKED -	
SCALE -	AS SHOWN
DATE -	FEB. 2016

DRAWING NO.

DT-5

PROJECT 004307.0000



UNLESS OTHERWISE DIRECTED BY THE ENGINEER, WHERE TWO PIPES (SEWER AND WATER) CROSS EACH OTHER, A CONCRETE PAD AND CRADLE SEPARATOR SHALL BE PLACED BETWEEN THEM AS INDICATED ABOVE, WHERE PERMISSION IS GRANTED TO OMIT THE CONCRETE PADS, GRANULAR BACKFILL SHALL BE TAMPED IN 6" LAYERS AROUND BOTH PIPES TAMPED BACKFILL SHALL BE CONTINUOUS FROM THE CRADLE OF THE LOWER PIPE TO THE TOP OF THE UPPER PIPE AND AT THE BOTTOM SHALL EXTEND IN BOTH DIRECTIONS, FOR THE FULL WIDTH OF THE TRENCH. UTILITY MARKING/WARNING TAPE SHALL BE INSTALLED ABOVE BOTH PIPES AT CROSSING.

PIPE CROSSING DETAIL
NOT TO SCALE

THE DETAILS ON THIS SHEET PRESENT THE MINIMUM REQUIREMENTS FOR THE CONSTRUCTION OF WASTEWATER COLLECTION FACILITIES WHICH ARE TO CONVEY WASTEWATER TO AND THROUGH THE FAIRCHANCE - GEORGES JOINT MUNICIPAL SEWAGE AUTHORITY'S COLLECTION, CONVEYANCE AND TREATMENT SYSTEM. THE SITE DEVELOPER'S DESIGN ENGINEER UTILIZING THESE DETAILS SHALL REVIEW THE DETAILS AND PRESENT ANY MODIFICATIONS NECESSITATED BY SITE CONDITIONS TO THE AUTHORITY FOR REVIEW. THE AUTHORITY NEITHER WARRANTS NOR GUARANTEES THAT THE DETAILS PRESENTED HEREIN ARE APPLICABLE TO ALL SITE CONDITIONS. THE USE OF THIS SHEET IN THE PROJECT'S CONSTRUCTION DOCUMENTS SHALL SIGNIFY THAT THE SITE DEVELOPER'S DESIGN ENGINEER HAS REVIEWED THE DETAILS AND FOUND THEM ACCEPTABLE FOR THE PROJECT.

HRG
Herbert Rowland & Grubic, Inc.
Engineering & Related Services
AN EMPLOYEE-OWNED COMPANY

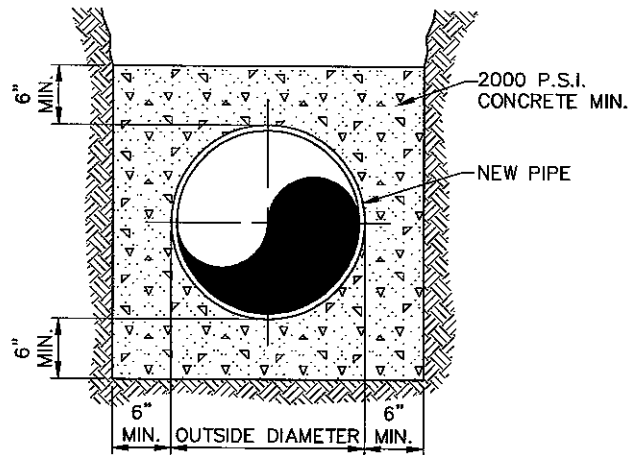
200 West Kenstinger Drive, Suite 400
Cranberry Township, PA 16066
(724) 779-4777
Fax (724) 779-4711
hrge@hrg-inc.com
www.hrg-inc.com

**FAIRCHANCE - GEORGES JOINT
MUNICIPAL SEWAGE AUTHORITY
STANDARD DETAILS**

PROJ. MGR. -	CEH
DESIGN -	CEH
CADD -	CRC
CHECKED -	
SCALE -	AS SHOWN
DATE -	FEB. 2016

DRAWING NO.
DT-6
PROJECT D04307.0000

File name: P:\0043\004307_0000\CAD\0043070000_ETC.dwg Layout:DT-6 Feb 05, 2016 - 4:39pm jrbulady



TYPICAL PIPE ENCASEMENT
NOT TO SCALE

THE DETAILS ON THIS SHEET PRESENT THE MINIMUM REQUIREMENTS FOR THE CONSTRUCTION OF WASTEWATER COLLECTION FACILITIES WHICH ARE TO CONVEY WASTEWATER TO AND THROUGH THE FAIRCHANCE - GEORGES JOINT MUNICIPAL SEWAGE AUTHORITY'S COLLECTION, CONVEYANCE AND TREATMENT SYSTEM. THE SITE DEVELOPER'S DESIGN ENGINEER UTILIZING THESE DETAILS SHALL REVIEW THE DETAILS AND PRESENT ANY MODIFICATIONS NECESSITATED BY SITE CONDITIONS TO THE AUTHORITY FOR REVIEW. THE AUTHORITY NEITHER WARRANTS NOR GUARANTEES THAT THE DETAILS PRESENTED HEREIN ARE APPLICABLE TO ALL SITE CONDITIONS. THE USE OF THIS SHEET IN THE PROJECT'S CONSTRUCTION DOCUMENTS SHALL SIGNIFY THAT THE SITE DEVELOPER'S DESIGN ENGINEER HAS REVIEWED THE DETAILS AND FOUND THEM ACCEPTABLE FOR THE PROJECT.

File Name: P:\0403\040307_0000\0403\040307\040307\040307.dwg User: jrbulsky Feb 08, 2016 - 4:45pm



200 West Kensing Drive, Suite 400
Cranberry Township, PA 16066
(724) 779-4777
Fax (724) 779-4711
hr@hrg-inc.com
www.hrg-inc.com

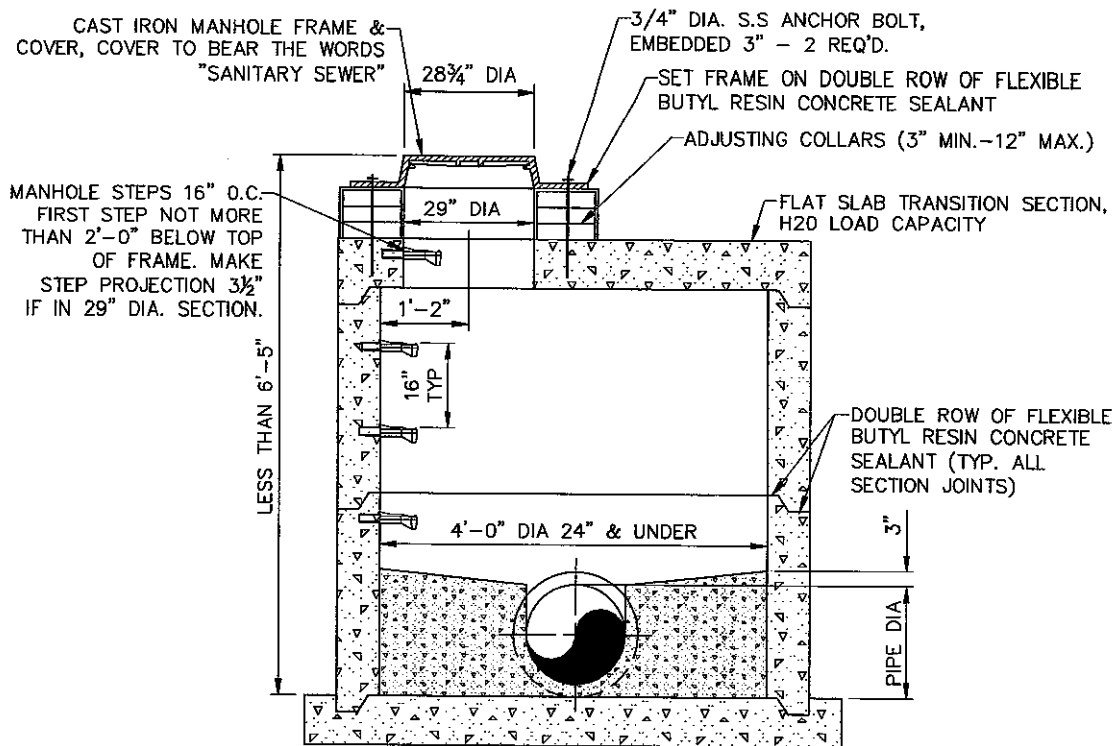
Herbert, Rowland & Grubic, Inc.
Engineering & Related Services
AN EMPLOYEE-OWNED COMPANY

**FAIRCHANCE - GEORGES JOINT
MUNICIPAL SEWAGE AUTHORITY
STANDARD DETAILS**

PROJ. MGR. -	CEH
DESIGN -	CEH
CADD -	CRC
CHECKED -	
SCALE -	AS SHOWN
DATE -	FEB. 2016

DRAWING NO.
DT-7
PROJECT 044307.0000

SEE SANITARY SEWER MANHOLE GENERAL NOTES (NT-1)



STANDARD SHALLOW PRECAST MANHOLE
NOT TO SCALE

THE DETAILS ON THIS SHEET PRESENT THE MINIMUM REQUIREMENTS FOR THE CONSTRUCTION OF WASTEWATER COLLECTION FACILITIES WHICH ARE TO CONVEY WASTEWATER TO AND THROUGH THE FAIRCHANCE - GEORGES JOINT MUNICIPAL SEWAGE AUTHORITY'S COLLECTION, CONVEYANCE AND TREATMENT SYSTEM. THE SITE DEVELOPER'S DESIGN ENGINEER UTILIZING THESE DETAILS SHALL REVIEW THE DETAILS AND PRESENT ANY MODIFICATIONS NECESSITATED BY SITE CONDITIONS TO THE AUTHORITY FOR REVIEW. THE AUTHORITY NEITHER WARRANTS NOR GUARANTEES THAT THE DETAILS PRESENTED HEREIN ARE APPLICABLE TO ALL SITE CONDITIONS. THE USE OF THIS SHEET IN THE PROJECT'S CONSTRUCTION DOCUMENTS SHALL SIGNIFY THAT THE SITE DEVELOPER'S DESIGN ENGINEER HAS REVIEWED THE DETAILS AND FOUND THEM ACCEPTABLE FOR THE PROJECT.

HRG
Herbert Rowland & Grubic, Inc.
Engineering & Related Services
AN EMPLOYEE-OWNED COMPANY

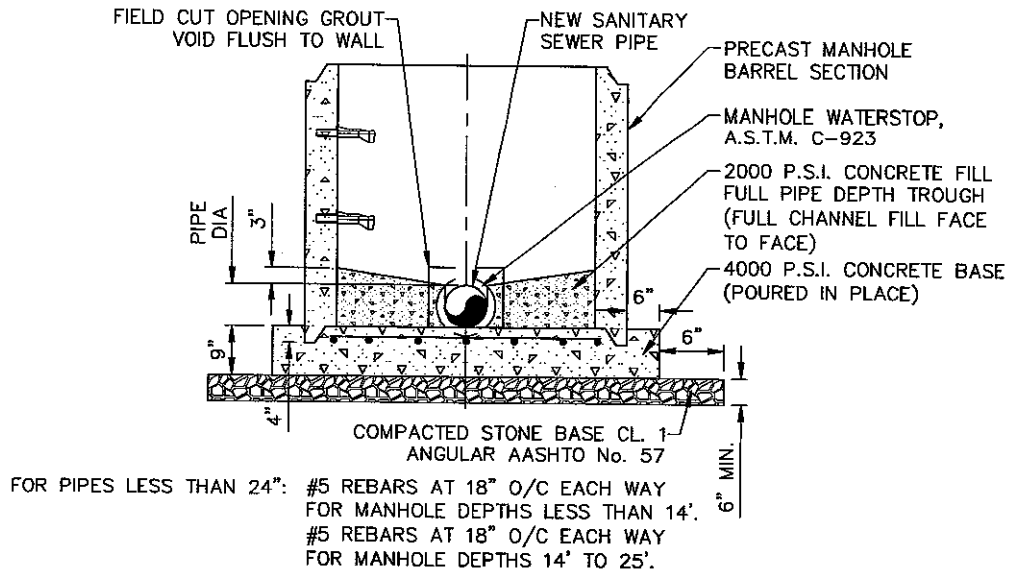
200 West Kersinger Drive, Suite 400
Cranberry Township, PA 16066
(724) 779-4777
Fax (724) 779-4711
hrge@hrg-inc.com
www.hrg-inc.com

**FAIRCHANCE - GEORGES JOINT
MUNICIPAL SEWAGE AUTHORITY
STANDARD DETAILS**

PROJ. MGR. - CEH
DESIGN - CEH
CADD - CRC
CHECKED -
SCALE - AS SHOWN
DATE - FEB. 2016

DRAWING NO. DT-9
PROJECT 004307.0000

SEE SANITARY SEWER MANHOLE GENERAL NOTES (NT-1)



POURED IN-PLACE REINFORCED MANHOLE BASE
NOT TO SCALE

THE DETAILS ON THIS SHEET PRESENT THE MINIMUM REQUIREMENTS FOR THE CONSTRUCTION OF WASTEWATER COLLECTION FACILITIES WHICH ARE TO CONVEY WASTEWATER TO AND THROUGH THE FAIRCHANCE - GEORGES JOINT MUNICIPAL SEWAGE AUTHORITY'S COLLECTION, CONVEYANCE AND TREATMENT SYSTEM. THE SITE DEVELOPER'S DESIGN ENGINEER UTILIZING THESE DETAILS SHALL REVIEW THE DETAILS AND PRESENT ANY MODIFICATIONS NECESSITATED BY SITE CONDITIONS TO THE AUTHORITY FOR REVIEW. THE AUTHORITY NEITHER WARRANTS NOR GUARANTEES THAT THE DETAILS PRESENTED HEREIN ARE APPLICABLE TO ALL SITE CONDITIONS. THE USE OF THIS SHEET IN THE PROJECT'S CONSTRUCTION DOCUMENTS SHALL SIGNIFY THAT THE SITE DEVELOPER'S DESIGN ENGINEER HAS REVIEWED THE DETAILS AND FOUND THEM ACCEPTABLE FOR THE PROJECT.

File name: P:\0043\004307_0000\CS0\0004307000L_DT.dwg Layout:DT-10 Feb 05, 2016 4:52pm jrbulsky

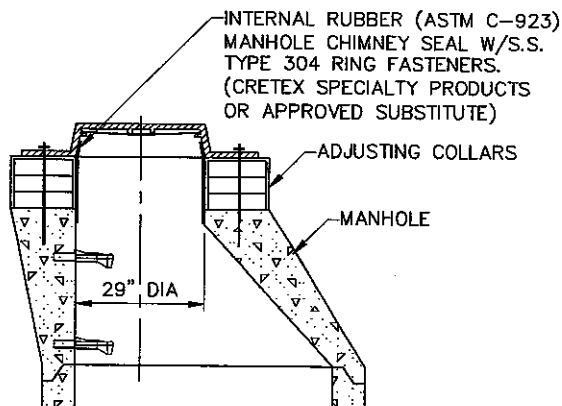
HRG
Herbert Rowland & Grobic, Inc.
Engineering & Related Services
AN EMPLOYEE-OWNED COMPANY

200 West Kershinger Drive, Suite 400
Cranberry Township, PA 16066
(724) 779-4777
Fax (724) 779-4711
hrg@hrg-inc.com
www.hrg-inc.com

FAIRCHANCE - GEORGES JOINT
MUNICIPAL SEWAGE AUTHORITY
STANDARD DETAILS

PROJ. MGR. -	CEH
DESIGN -	CEH
CADD -	CRG
CHECKED -	
SCALE -	AS SHOWN
DATE -	FEB. 2016

DRAWING NO.
DT-10
PROJECT 004307.0000



MANHOLE INTERNAL CHIMNEY SEAL

NOT TO SCALE

THE DETAILS ON THIS SHEET PRESENT THE MINIMUM REQUIREMENTS FOR THE CONSTRUCTION OF WASTEWATER COLLECTION FACILITIES WHICH ARE TO CONVEY WASTEWATER TO AND THROUGH THE FAIRCHANCE - GEORGES JOINT MUNICIPAL SEWAGE AUTHORITY'S COLLECTION, CONVEYANCE AND TREATMENT SYSTEM. THE SITE DEVELOPER'S DESIGN ENGINEER UTILIZING THESE DETAILS SHALL REVIEW THE DETAILS AND PRESENT ANY MODIFICATIONS NECESSITATED BY SITE CONDITIONS TO THE AUTHORITY FOR REVIEW. THE AUTHORITY NEITHER WARRANTS NOR GUARANTEES THAT THE DETAILS PRESENTED HEREIN ARE APPLICABLE TO ALL SITE CONDITIONS. THE USE OF THIS SHEET IN THE PROJECT'S CONSTRUCTION DOCUMENTS SHALL SIGNIFY THAT THE SITE DEVELOPER'S DESIGN ENGINEER HAS REVIEWED THE DETAILS AND FOUND THEM ACCEPTABLE FOR THE PROJECT.

File Name: P:\0043\004307_0000\CSD\0043070000_DT.dwg Loyal1107-11 Feb 03, 2016 - 4:54pm jrcsaulky

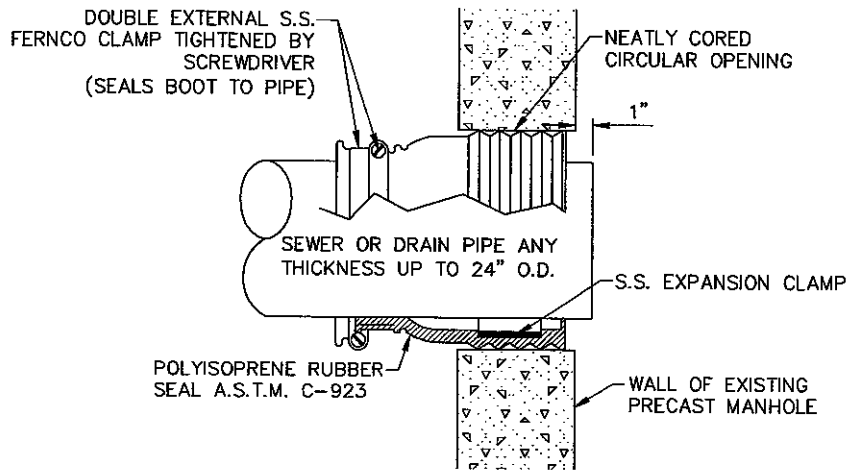


200 West Kensingler Drive, Suite 400
 Cranberry Township, PA 16066
 (724) 779-4777
 Fax (724) 779-4711
 hrge@hrg-inc.com
 www.hrg-inc.com

**FAIRCHANCE - GEORGES JOINT
 MUNICIPAL SEWAGE AUTHORITY
 STANDARD DETAILS**

PROJ. MGR. -	CEH
DESIGN -	CEH
CADD -	CRC
CHECKED -	
SCALE -	AS SHOWN
DATE -	FEB. 2016

DRAWING NO.
DT-11
PROJECT 004307.0000



PIPE CONNECTION TO EXISTING MANHOLE
NOT TO SCALE

THE DETAILS ON THIS SHEET PRESENT THE MINIMUM REQUIREMENTS FOR THE CONSTRUCTION OF WASTEWATER COLLECTION FACILITIES WHICH ARE TO CONVEY WASTEWATER TO AND THROUGH THE FAIRCHANCE - GEORGES JOINT MUNICIPAL SEWAGE AUTHORITY'S COLLECTION, CONVEYANCE AND TREATMENT SYSTEM. THE SITE DEVELOPER'S DESIGN ENGINEER UTILIZING THESE DETAILS SHALL REVIEW THE DETAILS AND PRESENT ANY MODIFICATIONS NECESSITATED BY SITE CONDITIONS TO THE AUTHORITY FOR REVIEW. THE AUTHORITY NEITHER WARRANTS NOR GUARANTEES THAT THE DETAILS PRESENTED HEREIN ARE APPLICABLE TO ALL SITE CONDITIONS. THE USE OF THIS SHEET IN THE PROJECT'S CONSTRUCTION DOCUMENTS SHALL SIGNIFY THAT THE SITE DEVELOPER'S DESIGN ENGINEER HAS REVIEWED THE DETAILS AND FOUND THEM ACCEPTABLE FOR THE PROJECT.

File name: P:\0043\004307_0000\330\0043070000_JDT.dwg Layout: DT-12 Feb 08, 2016 - 8:28am jrbulsky

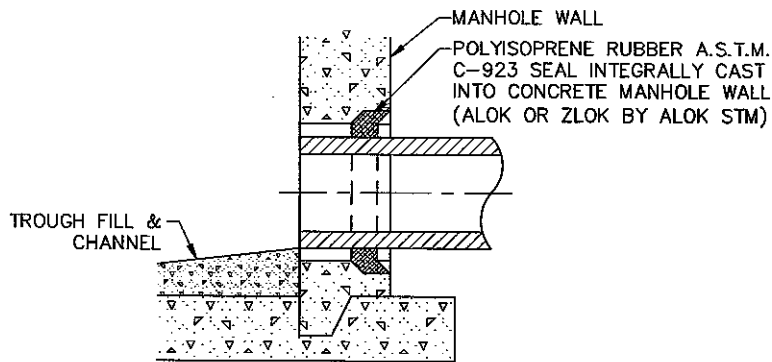
HRG
Herbert Rowland & Grubb, Inc.
Engineering & Related Services
AN EMPLOYEE-OWNED COMPANY

200 West Kennington Drive, Suite 400
Cranberry Township, PA 16066
(724) 779-4777
Fax (724) 779-4711
hr@hrg-inc.com
www.hrg-inc.com

**FAIRCHANCE - GEORGES JOINT
MUNICIPAL SEWAGE AUTHORITY
STANDARD DETAILS**

PROJ. MGR. -	CEH
DESIGN -	CEH
CADD -	CRC
CHECKED -	
SCALE -	AS SHOWN
DATE -	FEB. 2016

DRAWING NO.
DT-12
PROJECT 004307.0000



PIPE CONNECTION TO NEW MANHOLE
NOT TO SCALE

THE DETAILS ON THIS SHEET PRESENT THE MINIMUM REQUIREMENTS FOR THE CONSTRUCTION OF WASTEWATER COLLECTION FACILITIES WHICH ARE TO CONVEY WASTEWATER TO AND THROUGH THE FAIRCHANCE - GEORGES JOINT MUNICIPAL SEWAGE AUTHORITY'S COLLECTION, CONVEYANCE AND TREATMENT SYSTEM. THE SITE DEVELOPER'S DESIGN ENGINEER UTILIZING THESE DETAILS SHALL REVIEW THE DETAILS AND PRESENT ANY MODIFICATIONS NECESSITATED BY SITE CONDITIONS TO THE AUTHORITY FOR REVIEW. THE AUTHORITY NEITHER WARRANTS NOR GUARANTEES THAT THE DETAILS PRESENTED HEREIN ARE APPLICABLE TO ALL SITE CONDITIONS. THE USE OF THIS SHEET IN THE PROJECT'S CONSTRUCTION DOCUMENTS SHALL SIGNIFY THAT THE SITE DEVELOPER'S DESIGN ENGINEER HAS REVIEWED THE DETAILS AND FOUND THEM ACCEPTABLE FOR THE PROJECT.

File name: F:\DAS\044307_0000\CAD\0443070000_DT.dwg Layout: DT-13 Feb 06, 2016 8:28am jrb/lsk

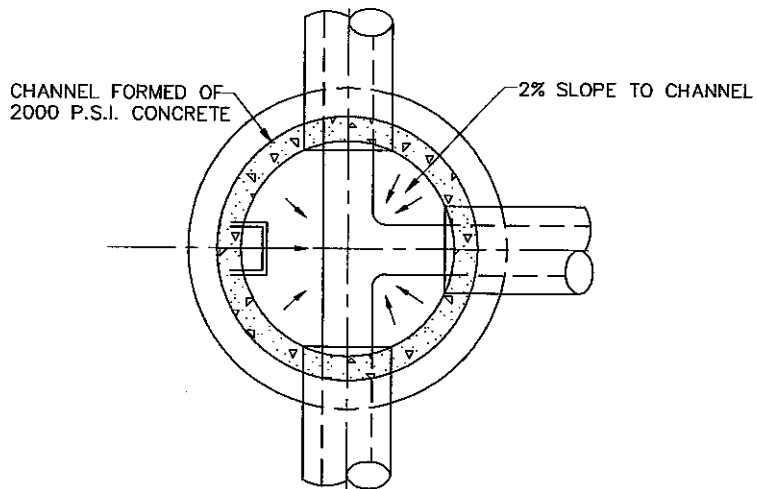
HRG
Herbert Rowland & Grubis, Inc.
Engineering & Related Services
AN EMPLOYEE-OWNED COMPANY

200 West Kensington Drive, Suite 400
Cranberry Township, PA 16066
(724) 779-4777
Fax (724) 779-4711
hrg@hrg-inc.com
www.hrg-inc.com

**FAIRCHANCE - GEORGES JOINT
MUNICIPAL SEWAGE AUTHORITY
STANDARD DETAILS**

PROJ. MGR. -	CEH
DESIGN -	CEH
CADD -	CRC
CHECKED -	
SCALE -	AS SHOWN
DATE -	FEB. 2016

DRAWING NO.
DT-13
PROJECT 004307.0000



TYPICAL MANHOLE TROUGH DETAIL

NOT TO SCALE

THE DETAILS ON THIS SHEET PRESENT THE MINIMUM REQUIREMENTS FOR THE CONSTRUCTION OF WASTEWATER COLLECTION FACILITIES WHICH ARE TO CONVEY WASTEWATER TO AND THROUGH THE FAIRCHANCE - GEORGES JOINT MUNICIPAL SEWAGE AUTHORITY'S COLLECTION, CONVEYANCE AND TREATMENT SYSTEM. THE SITE DEVELOPER'S DESIGN ENGINEER UTILIZING THESE DETAILS SHALL REVIEW THE DETAILS AND PRESENT ANY MODIFICATIONS NECESSITATED BY SITE CONDITIONS TO THE AUTHORITY FOR REVIEW. THE AUTHORITY NEITHER WARRANTS NOR GUARANTEES THAT THE DETAILS PRESENTED HEREIN ARE APPLICABLE TO ALL SITE CONDITIONS. THE USE OF THIS SHEET IN THE PROJECT'S CONSTRUCTION DOCUMENTS SHALL SIGNIFY THAT THE SITE DEVELOPER'S DESIGN ENGINEER HAS REVIEWED THE DETAILS AND FOUND THEM ACCEPTABLE FOR THE PROJECT.

File name: P:\0403\040307_0000\330 (6104307000)_DT.dwg Layout: DT-14 Feb 08, 2016 - 8:30am jrbialsky

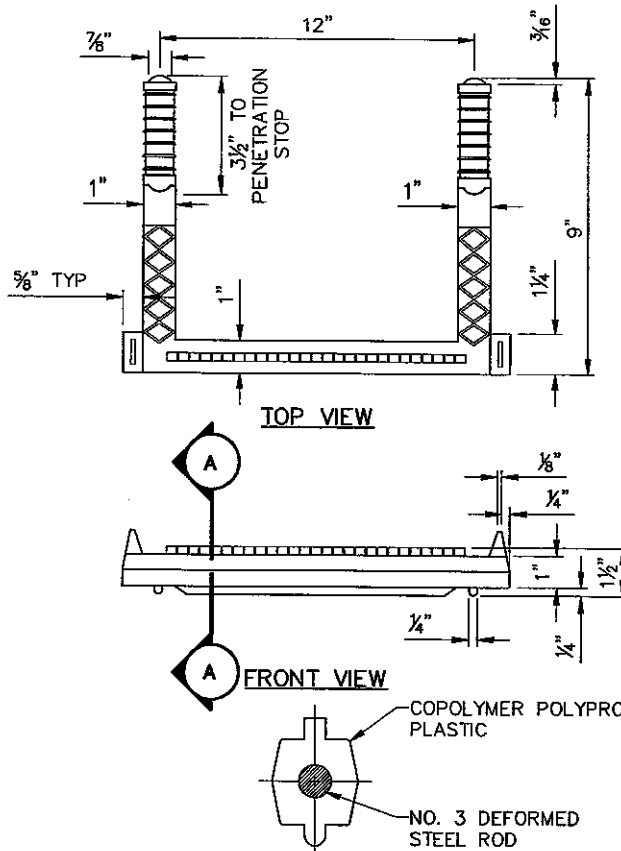


200 West Kensington Drive, Suite 400
 Cranberry Township, PA 16066
 (724) 779-4777
 Fax (724) 779-4711
 hr@hrg-inc.com
 www.hrg-inc.com

**FAIRCHANCE - GEORGES JOINT
 MUNICIPAL SEWAGE AUTHORITY
 STANDARD DETAILS**

PROJ. MGR. - CEH
DESIGN - CEH
CADD - CRC
CHECKED -
SCALE - AS SHOWN
DATE - FEB. 2016

DRAWING NO.
DT-14
PROJECT 004307.0000



TYPICAL MANHOLE STEP DETAIL
NOT TO SCALE

THE DETAILS ON THIS SHEET PRESENT THE MINIMUM REQUIREMENTS FOR THE CONSTRUCTION OF WASTEWATER COLLECTION FACILITIES WHICH ARE TO CONVEY WASTEWATER TO AND THROUGH THE FAIRCHANCE - GEORGES JOINT MUNICIPAL SEWAGE AUTHORITY'S COLLECTION, CONVEYANCE AND TREATMENT SYSTEM. THE SITE DEVELOPER'S DESIGN ENGINEER UTILIZING THESE DETAILS SHALL REVIEW THE DETAILS AND PRESENT ANY MODIFICATIONS NECESSITATED BY SITE CONDITIONS TO THE AUTHORITY FOR REVIEW. THE AUTHORITY NEITHER WARRANTS NOR GUARANTEES THAT THE DETAILS PRESENTED HEREIN ARE APPLICABLE TO ALL SITE CONDITIONS. THE USE OF THIS SHEET IN THE PROJECT'S CONSTRUCTION DOCUMENTS SHALL SIGNIFY THAT THE SITE DEVELOPER'S DESIGN ENGINEER HAS REVIEWED THE DETAILS AND FOUND THEM ACCEPTABLE FOR THE PROJECT.

File name: F:\0043\004307_0000\CS0\0043070000_07.dwg Layout:DT-15 Feb 05, 2015-8:31am jrboulay

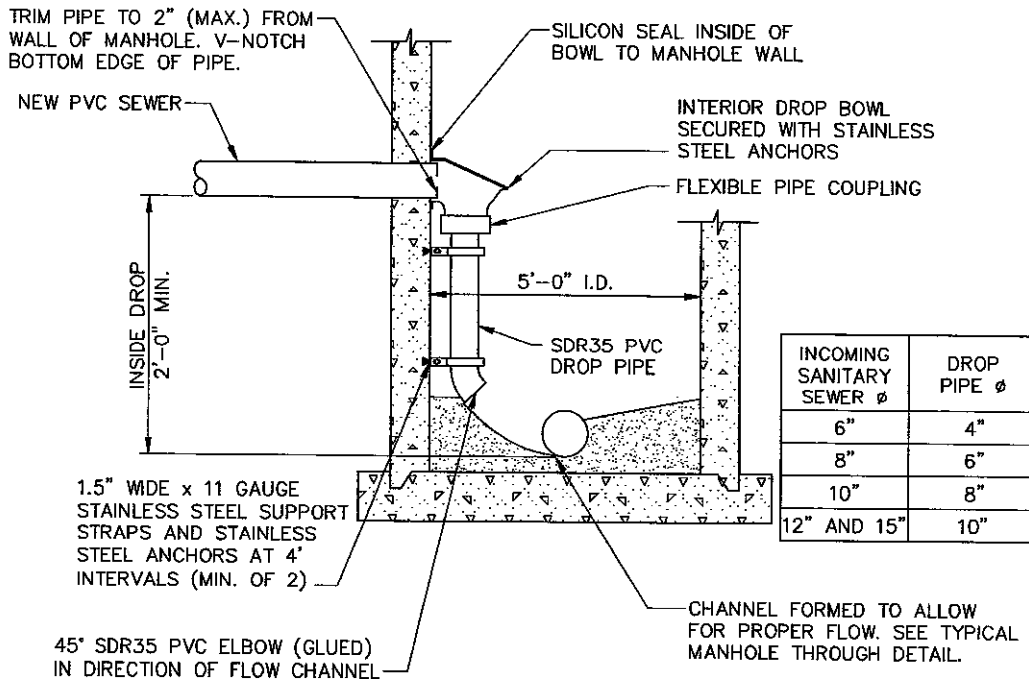
HRG
Herbert Rowland & Grubis, Inc.
Engineering & Related Services
AN EMPLOYEE-OWNED COMPANY

200 West Kerstinger Drive, Suite 400
Cranberry Township, PA 16066
(724) 779-4777
Fax (724) 779-4711
hr@hr-g-inc.com
www.hr-g-inc.com

**FAIRCHANCE - GEORGES JOINT
MUNICIPAL SEWAGE AUTHORITY
STANDARD DETAILS**

PROJ. MGR. - CEH
DESIGN - CEH
CADD - CRC
CHECKED -
SCALE - AS SHOWN
DATE - FEB. 2016

DRAWING NO.
DT-15
PROJECT 004307.0000



INCOMING SANITARY SEWER ϕ	DROP PIPE ϕ
6"	4"
8"	6"
10"	8"
12" AND 15"	10"

NOTES:

1. SEE STANDARD MANHOLE DRAWING FOR OTHER DETAILS.
2. INSTALL MANHOLE STEPS IN LOCATION THAT DOES NOT CONFLICT WITH DROP CONNECTION.

**DROP MANHOLE CONNECTION DETAIL
(STANDARD PRECAST MANHOLE)**

THE DETAILS ON THIS SHEET PRESENT THE MINIMUM REQUIREMENTS FOR THE CONSTRUCTION OF WASTEWATER COLLECTION FACILITIES WHICH ARE TO CONVEY WASTEWATER TO AND THROUGH THE FAIRCHANCE - GEORGES JOINT MUNICIPAL SEWAGE AUTHORITY'S COLLECTION, CONVEYANCE AND TREATMENT SYSTEM. THE SITE DEVELOPER'S DESIGN ENGINEER UTILIZING THESE DETAILS SHALL REVIEW THE DETAILS AND PRESENT ANY MODIFICATIONS NECESSITATED BY SITE CONDITIONS TO THE AUTHORITY FOR REVIEW. THE AUTHORITY NEITHER WARRANTS NOR GUARANTEES THAT THE DETAILS PRESENTED HEREIN ARE APPLICABLE TO ALL SITE CONDITIONS. THE USE OF THIS SHEET IN THE PROJECT'S CONSTRUCTION DOCUMENTS SHALL SIGNIFY THAT THE SITE DEVELOPER'S DESIGN ENGINEER HAS REVIEWED THE DETAILS AND FOUND THEM ACCEPTABLE FOR THE PROJECT.

HRG
 Herbert Rowland & Gubic, Inc.
 Engineering & Related Services
 AN EMPLOYEE-OWNED COMPANY

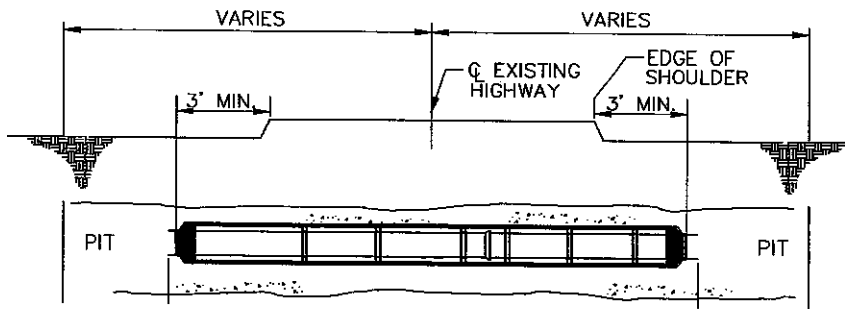
200 West Kersinger Drive, Suite 400
 Cranberry Township, PA 16066
 (724) 779-4777
 Fax (724) 779-4711
 hr@hrg-inc.com
 www.hrg-inc.com

**FAIRCHANCE - GEORGES JOINT
 MUNICIPAL SEWAGE AUTHORITY
 STANDARD DETAILS**

PROJ. MGR. - CEH
DESIGN - CEH
CADD - CRC
CHECKED -
SCALE - AS SHOWN
DATE - FEB. 2016

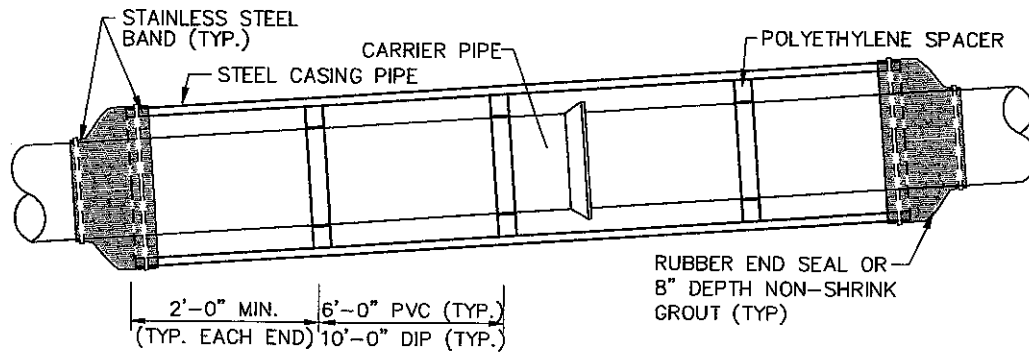
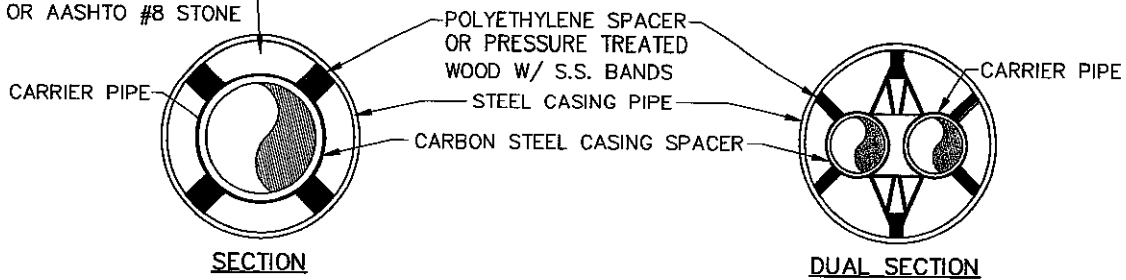
DRAWING NO.
DT-16
 PROJECT 004307.0000

File name: P:\004307_0000\CAD\0043070000_DT.dwg Layout:DT-16 Feb 08 2016 8:32am jrbakay



PROFILE

NOTE:
 MINIMUM THICKNESS FOR NEW CASING PIPE IS $\frac{3}{8}$ "
 MINIMUM THICKNESS FOR USED CASING PIPE IS $\frac{1}{2}$ "
 FILL VOID WITH SAND
 OR AASHTO #8 STONE



NOTES: **PLAN AND PROFILE**

1. SEE HIGHWAY CROSSINGS FOR SPECIFIC LENGTHS AND LOCATIONS.
2. ALL BORE PITS 3' MINIMUM OFF EDGE OF SHOULDER.
3. WHERE CASING IS ≥ 30 " DIAMETER, GROUT ANNULAR OPENING PER PENNDOT TITLE 67 CHAPTER 459.8.

BORE AND JACK DETAIL

NOT TO SCALE

THE DETAILS ON THIS SHEET PRESENT THE MINIMUM REQUIREMENTS FOR THE CONSTRUCTION OF WASTEWATER COLLECTION FACILITIES WHICH ARE TO CONVEY WASTEWATER TO AND THROUGH THE FAIRCHANCE - GEORGES JOINT MUNICIPAL SEWAGE AUTHORITY'S COLLECTION, CONVEYANCE AND TREATMENT SYSTEM. THE SITE DEVELOPER'S DESIGN ENGINEER UTILIZING THESE DETAILS SHALL REVIEW THE DETAILS AND PRESENT ANY MODIFICATIONS NECESSITATED BY SITE CONDITIONS TO THE AUTHORITY FOR REVIEW. THE AUTHORITY NEITHER WARRANTS NOR GUARANTEES THAT THE DETAILS PRESENTED HEREIN ARE APPLICABLE TO ALL SITE CONDITIONS. THE USE OF THIS SHEET IN THE PROJECT'S CONSTRUCTION DOCUMENTS SHALL SIGNIFY THAT THE SITE DEVELOPER'S DESIGN ENGINEER HAS REVIEWED THE DETAILS AND FOUND THEM ACCEPTABLE FOR THE PROJECT.

HRG
 Herbert, Rowland & Grubic, Inc.
 Engineering & Related Services
 AN EMPLOYEE-OWNED COMPANY

200 West Keninger Drive, Suite 400
 Cranberry Township, PA 16066
 (724) 779-4777
 Fax (724) 779-4711
 hr@hrg-inc.com
 www.hrg-inc.com

**FAIRCHANCE - GEORGES JOINT
 MUNICIPAL SEWAGE AUTHORITY
 STANDARD DETAILS**

PROJ. MGR. -	CEH
DESIGN -	CEH
CADD -	CRC
CHECKED -	
SCALE -	AS SHOWN
DATE -	FEB. 2016

DRAWING NO.	DT-17
PROJECT	004307.0000

File name: F:\0043\004307_0000\0000\0043070000_DT.dwg Layout: DT-17 Feb 08, 2016 8:33am jrbubky

SANITARY SEWER MANHOLE GENERAL NOTES:

1. ALL MANHOLE FRAMES AND COVERS SHALL BE EAST JORDAN IRON WORKS FRAME PATTERN No. 1890Z1PT AND COVER PATTERN No. 1890A2PT OR NEENAH FOUNDRY PATTERN No. R-1753-A. THE COVER TO BEAR THE LETTERS "FGJMSA".
2. ALL PRECAST CONCRETE SHALL BE REINFORCED IN ACCORDANCE WITH THE LATEST REVISIONS OF A.S.T.M. DESIGNATION C-478; ALL PRECAST CONCRETE SECTIONS SHALL BE MANUFACTURED AND FURNISHED AS SOLID SECTION WITHOUT LIFT HOLES OF ANY KIND.
3. MANHOLE CONCRETE WATERPROOFING - ALL MANHOLES SHALL BE PRECAST WITH A CRYSTALLINE CONCRETE WATERPROOFING/PROTECTION ADMIXTURE CONFORMING TO ASTM C-266, ASTM C-856, ASTM C-39 BS 1881, AND ASTM C-666. (I.E. XYPEX)
4. EXTERIOR - 16 MIL. COAL TAR EPOXY EXTERIOR COATING.
4. EXTERIOR JOINT - ALL EXTERIOR MANHOLE JOINTS SHALL BE SEALED WITH 24" WIDE POLYOLEFIN BACKED WATERTIGHT WRAP ON PROPERLY PRIMED CONCRETE STRUCTURE JOINTS CONFORMING TO ASTM F-1249, ASTM E-154, AND ASTM D-1709. (I.E. CONSEAL)
5. ALL MANHOLE FRAME TOPS SHALL BE ADJUSTED TO MATCH ELEVATION OF SURROUNDING FINISH GRADE UNLESS OTHERWISE SPECIFIED.
6. ABANDONED MANHOLES - FILL TROUGH & BASE WITH CONCRETE TO 4" ABOVE CROWN OF PIPES. REMOVE CONE SECTION, FRAME AND COVER. BACKFILL WITH PENNDOT No 2A TYPE A OR C STONE COMPACT TO 100% MAX. DENSITY. RESTORE SURFACE OF ROAD OR LAWN CONDITION AS APPROPRIATE FOR LOCATION.
7. WHERE MANHOLE DEPTH IS LESS THAN OR EQUAL TO 15'-0", MANHOLE DIAMETER SHALL BE 48". WHERE MANHOLE DEPTH EXCEEDS 15'-0", MANHOLE DIAMETER SHALL BE 60" AND APPROVED BY AUTHORITY.
9. MANHOLES WITH INSIDE DROP SHALL BE 5'-0" INSIDE DIAMETER.
10. ALL MANHOLE COVERS NOT IN ROAD PAVEMENT SHALL BE LOCKING.

THE DETAILS ON THIS SHEET PRESENT THE MINIMUM REQUIREMENTS FOR THE CONSTRUCTION OF WASTEWATER COLLECTION FACILITIES WHICH ARE TO CONVEY WASTEWATER TO AND THROUGH THE FAIRCHANCE - GEORGES JOINT MUNICIPAL SEWAGE AUTHORITY'S COLLECTION, CONVEYANCE AND TREATMENT SYSTEM. THE SITE DEVELOPER'S DESIGN ENGINEER UTILIZING THESE DETAILS SHALL REVIEW THE DETAILS AND PRESENT ANY MODIFICATIONS NECESSITATED BY SITE CONDITIONS TO THE AUTHORITY FOR REVIEW. THE AUTHORITY NEITHER WARRANTS NOR GUARANTEES THAT THE DETAILS PRESENTED HEREIN ARE APPLICABLE TO ALL SITE CONDITIONS. THE USE OF THIS SHEET IN THE PROJECT'S CONSTRUCTION DOCUMENTS SHALL SIGNIFY THAT THE SITE DEVELOPER'S DESIGN ENGINEER HAS REVIEWED THE DETAILS AND FOUND THEM ACCEPTABLE FOR THE PROJECT.

File name: P:\0043\04307_0000\CS0\VEANSA Standard Details\0043070000_DT.dwg Layout:NT-1 Apr 11, 2016 - 11:41pm jrb/rlk

HRG
 Herbert Rowland & Grubic, Inc.
 Engineering & Related Services
 AN EMPLOYEE-OWNED COMPANY

200 West Kensing Drive, Suite 400
 Cranberry Township, PA 16066
 (724) 779-4777
 Fax (724) 779-4711
 hrg@hrg-inc.com
 www.hrg-inc.com

**FAIRCHANCE - GEORGES JOINT
 MUNICIPAL SEWAGE AUTHORITY
 STANDARD DETAILS**

PROJ. MGR. - CEH
DESIGN - CEH
CADD - CRC
CHECKED -
SCALE - AS SHOWN
DATE - FEB. 2016

DRAWING NO.
NT-1
 PROJECT 004307.0000

GENERAL NOTES:

1. A PRE-CONSTRUCTION CONFERENCE, SCHEDULED BY THE AUTHORITY, SHALL BE HELD PRIOR TO ANY WORK STARTING. IN ADDITION, THE CONTRACTOR SHALL PROVIDE 48 HOUR NOTICE TO THE AUTHORITY, AND ALL NECESSARY UTILITIES PRIOR TO BEGINNING WORK TO ARRANGE FOR INSPECTION.
2. ALL WORK SHALL BE GOVERNED BY THE RULES, REGULATIONS AND SPECIFICATIONS OF THE AUTHORITY AND AT ALL TIMES BE SUBJECT TO THEIR DIRECT SUPERVISION, INSPECTION AND APPROVAL.
3. ALL WORK PERFORMED SHALL COMPLY WITH THE U.S. DEPARTMENT OF LABOR OCCUPATIONAL SAFETY AND HEALTH ACT.
4. THE CONTRACTOR SHALL IMPLEMENT SOIL EROSION AND SEDIMENTATION CONTROL MEASURES AT HIS/HER OWN EXPENSE IN ACCORDANCE WITH THE SOIL EROSION AND SEDIMENTATION CONTROL REGULATIONS AND GUIDELINES OF THE PENNSYLVANIA DEPARTMENT OF ENVIRONMENTAL PROTECTION, AND THE FAYETTE COUNTY CONSERVATION DISTRICT.
5. THE CONTRACTOR SHALL TAKE ALL PRECAUTIONS NECESSARY TO MAINTAIN SERVICE OF THE LINES BEING REPLACED UNTIL THE RECONSTRUCTION HAS BEEN COMPLETED. THE CONTRACTOR SHALL PROVIDE BYPASS PUMPING BETWEEN EXISTING MANHOLES TO MAINTAIN WASTEWATER FLOWS.
6. THE CONTRACTOR IS RESPONSIBLE FOR CONDUCTING ALL TESTING AND OBTAINING THE SERVICES OF A TESTING LABORATORY AS SPECIFIED IN THE AUTHORITY'S RULES AND REGULATIONS.
7. THE CONTRACTOR SHALL BE RESPONSIBLE FOR DAMAGES TO EXISTING STRUCTURES OR PROPERTY AND SHALL REPAIR OR REPLACE ALL DAMAGES AT HIS OWN EXPENSE.
8. THE CONTRACTOR SHALL WORK WITHIN DESIGNATED STREET RIGHT-OF-WAY, UTILITY EASEMENT OR CONSTRUCTION EASEMENT WHILE CONSTRUCTING THIS PROJECT UNLESS OTHERWISE DIRECTED BY THE ENGINEER.
9. THE CONTRACTOR SHALL PRESERVE ALL CORNERSTONES, IRON PINS, CONCRETE MONUMENTS, OR ANY OTHER TYPE OF LAND MONUMENT. THE CONTRACTOR SHALL HAVE ALL LAND MONUMENTS IN THE PROXIMITY OF THE WORK REFERENCED. THE CONTRACTOR SHALL REPLACE DESTROYED OR DAMAGED LAND MONUMENTS AND SHALL FURNISH A CERTIFICATION BY A REGISTERED SURVEYOR THAT THE LAND MONUMENTS HAVE BEEN RESTORED.
10. ALL DISTURBED PROPERTY SHALL BE RESTORED TO ITS PRE-CONSTRUCTION CONDITION, AS NEAR AS POSSIBLE WITHIN 20 DAYS OF DISTURBANCE UNLESS OTHERWISE SPECIFIED IN THE CONTRACT DOCUMENTS.
11. PAVEMENT CUTTING: ALL ASPHALT AND CONCRETE PAVEMENT SHALL BE NEAT-LINE SAW CUT.
12. THE CONTRACTOR SHALL NOT RECONNECT ANY EXISTING OR CONNECT ANY NEW CONNECTIONS WHICH ARE DETERMINED TO ORIGINATE FROM ROOF DRAINS, FOUNDATION DRAINS AND OTHER CLEAN WATER SOURCES TO THE WASTEWATER SYSTEM BEING CONSTRUCTED.
13. ALL EXCAVATED MATERIAL AND ALL MATERIAL USED IN CONSTRUCTION OF THE WORK SHALL BE MAINTAINED IN A MANNER THAT WILL NOT ENDANGER THE WORK AND THAT WILL LEAVE DRIVEWAYS, HYDRANTS, VALVE PIT COVERS, VALVE BOXES, FIRE AND POLICE CALL BOXES, OR OTHER UTILITY CONTROLS UNOBSTRUCTED AND ACCESSIBLE WHILE THE WORK IS BEING COMPLETED. DITCHES SHALL BE KEPT CLEAR AND SATISFACTORY PROVISIONS SHALL BE MADE FOR STREET DRAINAGE, AND NATURAL WATER COURSES SHALL NOT BE OBSTRUCTED. DURING THE PROGRESS OF THE WORK, ALL MATERIAL PILES SHALL BE KEPT TRIMMED UP AND MAINTAINED IN A NEAT MANNER. ALL EXCAVATED WASTE MATERIAL SHALL BE REMOVED FROM THE PROJECT SITE AND DISPOSED OF IN ACCORDANCE WITH ALL LOCAL, STATE AND FEDERAL REGULATIONS.

THE DETAILS ON THIS SHEET PRESENT THE MINIMUM REQUIREMENTS FOR THE CONSTRUCTION OF WASTEWATER COLLECTION FACILITIES WHICH ARE TO CONVEY WASTEWATER TO AND THROUGH THE FAIRCHANCE - GEORGES JOINT MUNICIPAL SEWAGE AUTHORITY'S COLLECTION, CONVEYANCE AND TREATMENT SYSTEM. THE SITE DEVELOPER'S DESIGN ENGINEER UTILIZING THESE DETAILS SHALL REVIEW THE DETAILS AND PRESENT ANY MODIFICATIONS NECESSITATED BY SITE CONDITIONS TO THE AUTHORITY FOR REVIEW. THE AUTHORITY NEITHER WARRANTS NOR GUARANTEES THAT THE DETAILS PRESENTED HEREIN ARE APPLICABLE TO ALL SITE CONDITIONS. THE USE OF THIS SHEET IN THE PROJECT'S CONSTRUCTION DOCUMENTS SHALL SIGNIFY THAT THE SITE DEVELOPER'S DESIGN ENGINEER HAS REVIEWED THE DETAILS AND FOUND THEM ACCEPTABLE FOR THE PROJECT.

File name: P:\0043\004307_0000\0307\0000\0000000000_D1.dwg Layout:NT-2 Feb 06 2:01:48 PM jrbilsky



200 West Kensington Drive, Suite 400
 Cranberry Township, PA 16066
 (724) 779-4777
 Fax (724) 779-4711
 hrge@hrg-inc.com
 www.hrg-inc.com

Herbert Rowland & Grubic, Inc.
 Engineering & Related Services
 AN EMPLOYEE-OWNED COMPANY

**FAIRCHANCE - GEORGES JOINT
 MUNICIPAL SEWAGE AUTHORITY
 STANDARD DETAILS**

PROJ. MGR. - CEH
DESIGN- CEH
CADD- CRC
CHECKED-
SCALE- AS SHOWN
DATE- FEB. 2016

DRAWING NO.
NT-2
PROJECT 004307.0000

MAINTENANCE OF TRAFFIC:

1. THE CONTRACTOR SHALL PROVIDE MAINTENANCE OF TRAFFIC AND THE PROTECTION OF THE TRAVELING PUBLIC APPROACHING THE CONSTRUCTION AREA AND WITHIN THE LIMITS OF CONSTRUCTION. DEPENDING ON THE TYPE AND LOCATION OF THE CONSTRUCTION, THE CONTRACTOR SHALL FURNISH, ERECT, PLACE AND MAINTAIN TRAFFIC CONTROL SIGNS AND DEVICES AND MAINTAIN TRAFFIC DURING HOURS OF CONSTRUCTION AND AT ALL OTHER TIMES IN ACCORDANCE WITH ANY SPECIAL REQUIREMENTS OF THIS CONTRACT AND THE FOLLOWING PENNDOT REQUIREMENTS:
 - a.) PA CODE, TITLE 67, CHAPTER 213, WORK ZONE TRAFFIC CONTROL.
 - b.) PA CODE, TITLE 67, CHAPTER 211, OFFICIAL TRAFFIC CONTROL DEVICES.
 - c.) PDT PUBLICATION NO. 35, APPROVED CONSTRUCTION MATERIALS (BULLETIN 15)
 - d.) PDT PUBLICATION NO. 408, SPECIFICATIONS.
2. ALL TRAFFIC CONTROL DEVICES SHALL BE IN PLACE AND INSPECTED BY THE AUTHORITY, ENGINEER OR HIS REPRESENTATIVE BEFORE WORK BEGINS.
3. IMMEDIATELY UPON COMPLETION OF THE WORK, THE DEVICES SHALL BE REMOVED BY THE CONTRACTOR.
4. THE CONTRACTOR SHALL NOTIFY THE AUTHORITY, POLICE DEPARTMENT, FIRE DEPARTMENT, SCHOOL DISTRICT AND AMBULATORY SERVICES IN WRITING 3 DAYS IN ADVANCE OF ANY ROAD CLOSING OR DETOURS IN CONJUNCTION WITH THE CONSTRUCTION OF THIS PROJECT. THE ENGINEER SHALL BE COPIED ON SUCH NOTIFICATION.

THE DETAILS ON THIS SHEET PRESENT THE MINIMUM REQUIREMENTS FOR THE CONSTRUCTION OF WASTEWATER COLLECTION FACILITIES WHICH ARE TO CONVEY WASTEWATER TO AND THROUGH THE FAIRCHANCE - GEORGES JOINT MUNICIPAL SEWAGE AUTHORITY'S COLLECTION, CONVEYANCE AND TREATMENT SYSTEM. THE SITE DEVELOPER'S DESIGN ENGINEER UTILIZING THESE DETAILS SHALL REVIEW THE DETAILS AND PRESENT ANY MODIFICATIONS NECESSITATED BY SITE CONDITIONS TO THE AUTHORITY FOR REVIEW. THE AUTHORITY NEITHER WARRANTS NOR GUARANTEES THAT THE DETAILS PRESENTED HEREIN ARE APPLICABLE TO ALL SITE CONDITIONS. THE USE OF THIS SHEET IN THE PROJECT'S CONSTRUCTION DOCUMENTS SHALL SIGNIFY THAT THE SITE DEVELOPER'S DESIGN ENGINEER HAS REVIEWED THE DETAILS AND FOUND THEM ACCEPTABLE FOR THE PROJECT.

File name: P:\0045\004307_0000\030\0043070000_DT.dwg Layout:NT-3 Feb 08, 2018 - 09:50am pbrilsky



200 West Kearsinger Drive, Suite 400
 Cranberry Township, PA 16066
 (724) 779-4777
 Fax (724) 779-4711
 hrg@hr-g-inc.com
 www.hrg-inc.com

**FAIRCHANCE - GEORGES JOINT
 MUNICIPAL SEWAGE AUTHORITY
 STANDARD DETAILS**

PROJ. MGR. - CEH
DESIGN - CEH
CADD - CRC
CHECKED -
SCALE - AS SHOWN
DATE - FEB. 2016

DRAWING NO.
NT-3
PROJECT 004307.0000