

NOTES:

1. PVC LATERAL AND BUILDING SEWER PIPE AND FITTINGS MUST BE BEDDED AND SURROUNDED WITH FIRMLY PACKED AASHTO No. 67 ANGULAR STONE. THE BEDDING SHALL EXTEND 4" MIN. BELOW PIPE. THE USE OF 4" PIPE FROM THE INSPECTION STACK "IN" IS ACCEPTABLE. ALTERNATE MATERIALS MUST BE SUBMITTED TO THE AUTHORITY FOR APPROVAL PRIOR TO INSTALLATION.
2. BUILDING SEWER PIPE AND FITTINGS SHALL BE SCH 40 PVC; ALTERNATE MATERIALS SHALL BE SUBMITTED FOR APPROVAL.
3. DO NOT DEFLECT PIPE TO ACHIEVE REQUIRED SLOPE, UTILIZE REQUIRED FITTINGS.
4. ALL BACKFILL MATERIAL AND BACKFILL INSTALLATION PROCEDURES FROM WYE CONNECTION TO INSPECTION STACK TO CONFORM TO TRENCH BACKFILL DETAIL.
5. LATERALS SHALL BE INSTALLED FROM LATERAL WYE FITTING TO INSPECTION STACK AT A MINIMUM GRADE OF 1/4" PER FT.
6. INSTALL SOLVENT WELD WATERTIGHT ENDCAP TO END OF 12" LONG STUB SECTION IF NO PRIVATE SEWER LATERAL EXISTS. IF PRIVATE SEWER LATERAL DOES EXIST, CONNECT TO NEW LATERAL AFTER APPROVAL FROM AUTHORITY.
7. SEE DETAIL DT-4 FOR CONSTRUCTION OF PROTECTIVE CASTING FOR VENT, CLEANOUT AND INSPECTION STACKS.
8. IF EXISTING BUILDING SEWER IS CLAY, CONNECTION SHALL BE MADE ON INSIDE OF FOUNDATION.
9. NON-RESIDENTIAL BUILDING SEWERS SHALL BE DESIGNED FOR AUTHORITY APPROVAL.

BUILDING SEWER & LATERAL DETAIL

NOT TO SCALE

THE DETAILS ON THIS SHEET PRESENT THE MINIMUM REQUIREMENTS FOR THE CONSTRUCTION OF WASTEWATER COLLECTION FACILITIES WHICH ARE TO CONVEY WASTEWATER TO AND THROUGH THE FAIRCHANCE - GEORGES JOINT MUNICIPAL SEWAGE AUTHORITY'S COLLECTION, CONVEYANCE AND TREATMENT SYSTEM. THE SITE DEVELOPER'S DESIGN ENGINEER UTILIZING THESE DETAILS SHALL REVIEW THE DETAILS AND PRESENT ANY MODIFICATIONS NECESSITATED BY SITE CONDITIONS TO THE AUTHORITY FOR REVIEW. THE AUTHORITY NEITHER WARRANTS NOR GUARANTEES THAT THE DETAILS PRESENTED HEREIN ARE APPLICABLE TO ALL SITE CONDITIONS. THE USE OF THIS SHEET IN THE PROJECT'S CONSTRUCTION DOCUMENTS SHALL SIGNIFY THAT THE SITE DEVELOPER'S DESIGN ENGINEER HAS REVIEWED THE DETAILS AND FOUND THEM ACCEPTABLE FOR THE PROJECT.

HRG
 The Robert Rowland Z. Grubic, Inc.
 Engineering & Related Services
 AN EMPLOYEE-OWNED COMPANY

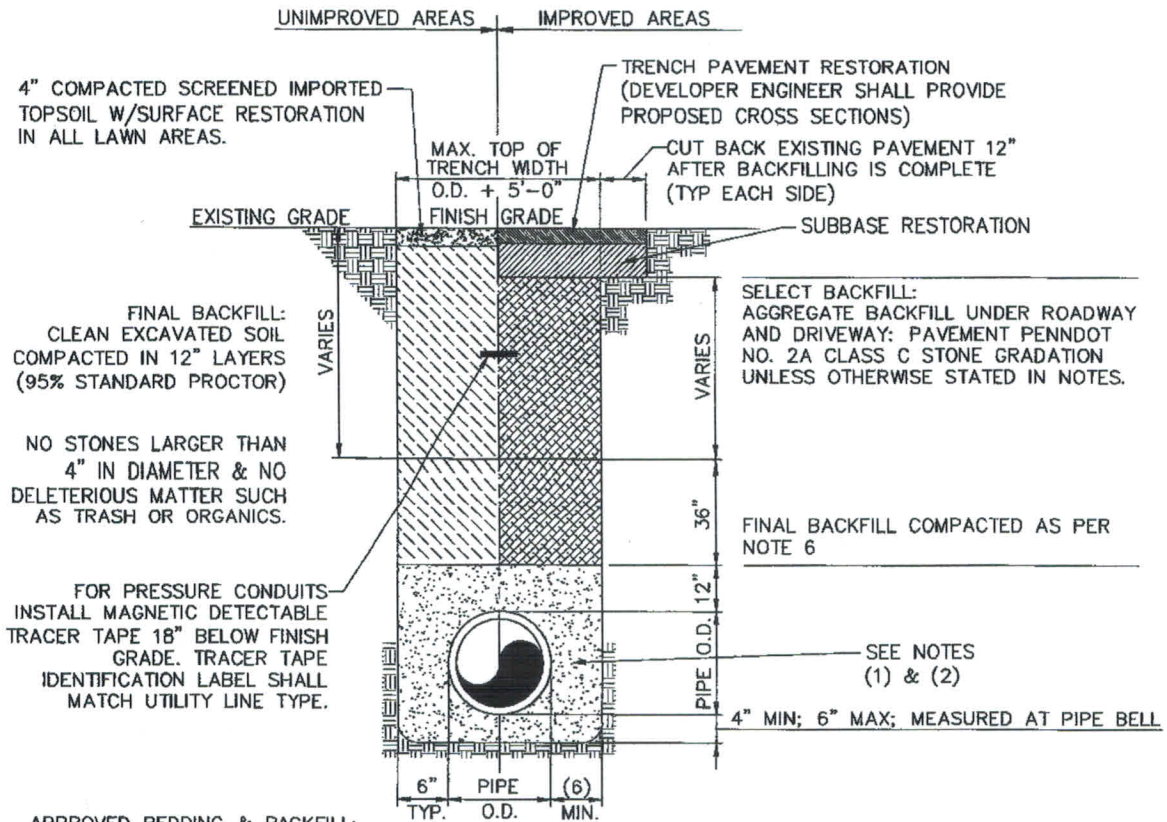
200 West Kensington Drive, Suite 400
 Cranberry Township, PA 16066
 (724) 779-4777
 Fax (724) 779-4711
 hug@hrg-inc.com
 www.hrg-inc.com

**FAIRCHANCE - GEORGES JOINT
 MUNICIPAL SEWAGE AUTHORITY
 STANDARD DETAILS**

PROJ. MGR. - CEH
 DESIGN - CEH
 CADD - CRC
 CHECKED -
 SCALE - AS SHOWN
 DATE - FEB. 2016

DRAWING NO.
DT-1
 PROJECT 004307.0000

File name: P:\0043\004307_0000\0307\0000_P1.dwg Layout: DT-1 Apr 11, 2016 - 1:31pm jmbulky



TRENCH BACKFILL DETAIL
NOT TO SCALE

THE DETAILS ON THIS SHEET PRESENT THE MINIMUM REQUIREMENTS FOR THE CONSTRUCTION OF WASTEWATER COLLECTION FACILITIES WHICH ARE TO CONVEY WASTEWATER TO AND THROUGH THE FAIRCHANCE - GEORGES JOINT MUNICIPAL SEWAGE AUTHORITY'S COLLECTION, CONVEYANCE AND TREATMENT SYSTEM. THE SITE DEVELOPER'S DESIGN ENGINEER UTILIZING THESE DETAILS SHALL REVIEW THE DETAILS AND PRESENT ANY MODIFICATIONS NECESSITATED BY SITE CONDITIONS TO THE AUTHORITY FOR REVIEW. THE AUTHORITY NEITHER WARRANTS NOR GUARANTEES THAT THE DETAILS PRESENTED HEREIN ARE APPLICABLE TO ALL SITE CONDITIONS. THE USE OF THIS SHEET IN THE PROJECT'S CONSTRUCTION DOCUMENTS SHALL SIGNIFY THAT THE SITE DEVELOPER'S DESIGN ENGINEER HAS REVIEWED THE DETAILS AND FOUND THEM ACCEPTABLE FOR THE PROJECT.

File Name: F:\BAS\04307_0000\030\043070000_DT.dwg; Layout: DT-2; Date: 08, 2015 - 11:28pm; ccd\dwg

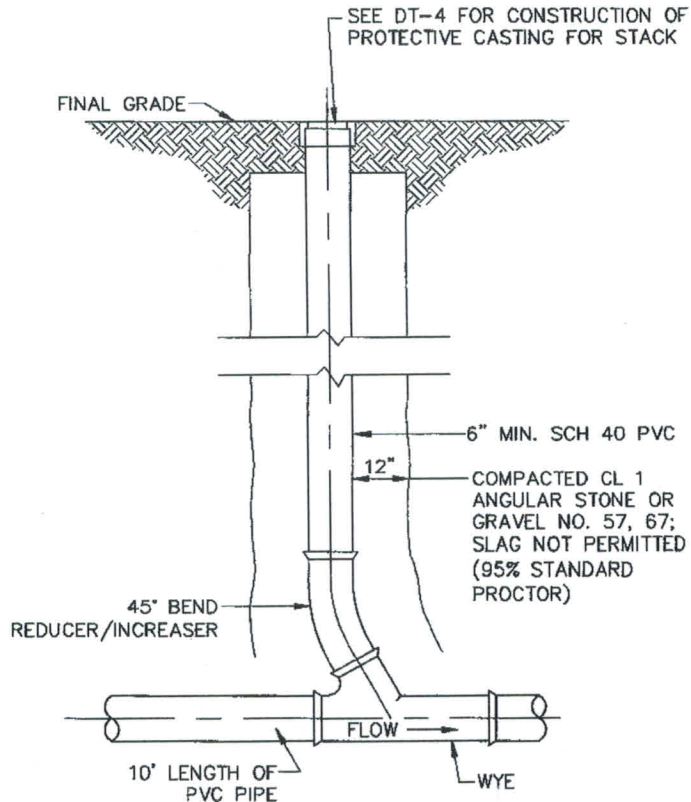
HRG
Herbert Rowland & Group, Inc.
Engineering & Related Services
AN EMPLOYEE-OWNED COMPANY

200 West Kersinger Drive, Suite 400
Cranberry Township, PA 16066
(724) 779-4777
Fax (724) 779-4711
hr@hrg-inc.com
www.hrg-inc.com

**FAIRCHANCE - GEORGES JOINT
MUNICIPAL SEWAGE AUTHORITY
STANDARD DETAILS**

PROJ. MGR. -	CEH
DESIGN -	CEH
CADD -	CRG
CHECKED -	
SCALE -	AS SHOWN
DATE -	DEC. 2015

DRAWING NO.
DT-2
PROJECT 004307.0000



SANITARY CLEANOUT
NOT TO SCALE

THE DETAILS ON THIS SHEET PRESENT THE MINIMUM REQUIREMENTS FOR THE CONSTRUCTION OF WASTEWATER COLLECTION FACILITIES WHICH ARE TO CONVEY WASTEWATER TO AND THROUGH THE FAIRCHANCE - GEORGES JOINT MUNICIPAL SEWAGE AUTHORITY'S COLLECTION, CONVEYANCE AND TREATMENT SYSTEM. THE SITE DEVELOPER'S DESIGN ENGINEER UTILIZING THESE DETAILS SHALL REVIEW THE DETAILS AND PRESENT ANY MODIFICATIONS NECESSITATED BY SITE CONDITIONS TO THE AUTHORITY FOR REVIEW. THE AUTHORITY NEITHER WARRANTS NOR GUARANTEES THAT THE DETAILS PRESENTED HEREIN ARE APPLICABLE TO ALL SITE CONDITIONS. THE USE OF THIS SHEET IN THE PROJECT'S CONSTRUCTION DOCUMENTS SHALL SIGNIFY THAT THE SITE DEVELOPER'S DESIGN ENGINEER HAS REVIEWED THE DETAILS AND FOUND THEM ACCEPTABLE FOR THE PROJECT.

File name: P:\04\04307_0000\00043070000_01.dwg Layout: DT-3 Feb 03, 2016 - 4:35pm jrb/hsh

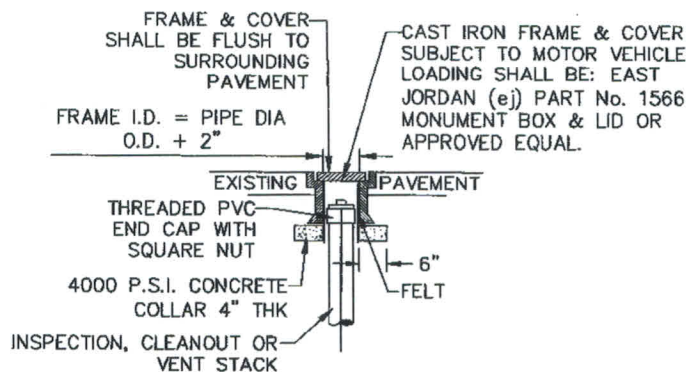
HRG
Herbert, Rowland & Groble, Inc.
Engineering & Related Services
AN EMPLOYEE-OWNED COMPANY

200 West Kensington Drive, Suite 400
Cranberry Township, PA 16066
(724) 779-6777
Fax (724) 779-6711
hrg@hrg-inc.com
www.hrg-inc.com

**FAIRCHANCE - GEORGES JOINT
MUNICIPAL SEWAGE AUTHORITY
STANDARD DETAILS**

PROJ. MGR. -	CEH
DESIGN -	CEH
CADD -	CRC
CHECKED -	
SCALE -	AS SHOWN
DATE -	FEB. 2016

DRAWING NO.
DT-3
PROJECT 004307.0000



VERTICAL STACK TOP INSTALLATION FOR ALL IMPROVED AREAS

NOT TO SCALE

NOTE:

IF SURFACE IS AGGREGATE, A 30" x 30" x 4" CONCRETE PAD SHALL BE INSTALLED SURROUNDING FRAME & COVER.

THE DETAILS ON THIS SHEET PRESENT THE MINIMUM REQUIREMENTS FOR THE CONSTRUCTION OF WASTEWATER COLLECTION FACILITIES WHICH ARE TO CONVEY WASTEWATER TO AND THROUGH THE FAIRCHANCE - GEORGES JOINT MUNICIPAL SEWAGE AUTHORITY'S COLLECTION, CONVEYANCE AND TREATMENT SYSTEM. THE SITE DEVELOPER'S DESIGN ENGINEER UTILIZING THESE DETAILS SHALL REVIEW THE DETAILS AND PRESENT ANY MODIFICATIONS NECESSITATED BY SITE CONDITIONS TO THE AUTHORITY FOR REVIEW. THE AUTHORITY NEITHER WARRANTS NOR GUARANTEES THAT THE DETAILS PRESENTED HEREON ARE APPLICABLE TO ALL SITE CONDITIONS. THE USE OF THIS SHEET IN THE PROJECT'S CONSTRUCTION DOCUMENTS SHALL SIGNIFY THAT THE SITE DEVELOPER'S DESIGN ENGINEER HAS REVIEWED THE DETAILS AND FOUND THEM ACCEPTABLE FOR THE PROJECT.

HRG
Herbert Rowland & Grebic, Inc.
Engineering & Related Services
AN EMPLOYEE-OWNED COMPANY

200 West Kensington Drive, Suite 400
Cranberry Township, PA 16066
(724) 779-6777
Fax (724) 779-4711
hrg@hrg-inc.com
www.hrg-inc.com

**FAIRCHANCE - GEORGES JOINT
MUNICIPAL SEWAGE AUTHORITY
STANDARD DETAILS**

PROJ. MGR. -	CEH
DESIGN -	CEH
CADD -	CRC
CHECKED -	
SCALE -	AS SHOWN
DATE -	FEB. 2016

DRAWING NO.
DT-4
PROJECT 004307.0000